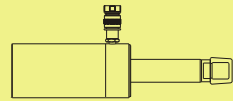


BSRC / BSRP Series



Capacity:
2.5-50 tons

Stroke:
127-155mm

Maximum Operating Pressure:
700 bar

BSRC / BSRP 液壓單動彈簧回縮，倒拉式千斤頂

- 高強度合金鋼結構。
- 主軸極限設計，保護主軸超陽程。
- 主軸電鍍延長使用壽命。
- 主軸防塵環防污染增加使用壽命。
- 表面粉體塗裝美觀抗腐蝕、防銹。
- 各型號均含SQB-3/8UF快速接頭及防塵蓋。

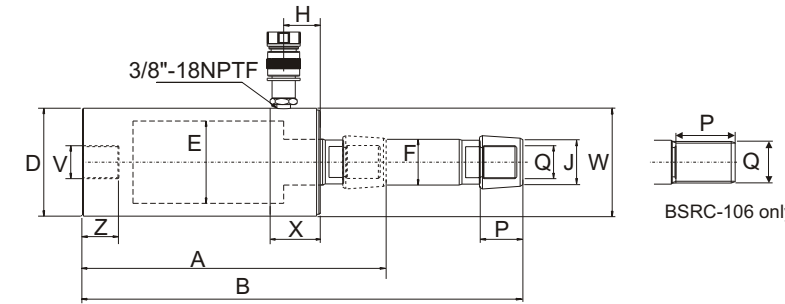
Single-Acting, Spring return Pull Cylinders

- ※ High strength alloy steel construction.
- ※ Plunger blow-out protection to prevent over-extension.
- ※ Hard chrome-plated plunger for long life.
- ※ Plunger wiper reduces contamination, extending cylinder life.
- ※ Powder coat finish for increased corrosion resistance and antirust.
- ※ SQB-3/8UF coupler and dust cap are included on all models.

| 型號 Model Number | 外部尺寸 Outer Dimension | | | | | | | | | | | |
|--------------------|------------------------------------|----------------------|---|---------------------------------------|-------------------------------|-----------------------------|-------------------------------|-------------------------------------|---------------------------------|--|--------------------------------|-------------------|
| | 能力 Cylinder Capacity ton(kN) | 揚程 Stroke (mm) | 受壓面積 Cylinder Effective Area (cm ²) | 總油量 Oil Cap. (cm ³) | 本身高 Coll. Height A (mm) | 伸長總高 Ext. Height (mm) | 外徑 Outside Diam. D (mm) | 內徑 Cylinder Bore Diam. E (mm) | 主軸直徑 Plunger Diam. F (mm) | 頂部進油 油孔位置 Top to inlet. Port H (mm) | 墊塊尺寸 Saddle Diam. J (in) | 總重 Wt. (kg) |
| BSRC-25 | 2.5(24) | 127 | 3.6 | 45 | 265 | 392 | 48 | 28.7 | 19.1 | 45 | 3/4"-14NPT | 1.8 |
| BSRC-55 | 5(51) | 140 | 7.3 | 101 | 301 | 441 | 57 | 42.9 | 30.2 | 42 | 1-1/4"-11.5NPT | 4.5 |
| BSRC-106 | 10(105) | 151 | 15.0 | 228 | 289 | 440 | 85 | 54.1 | 31.8 | 39 | — | 9.5 |

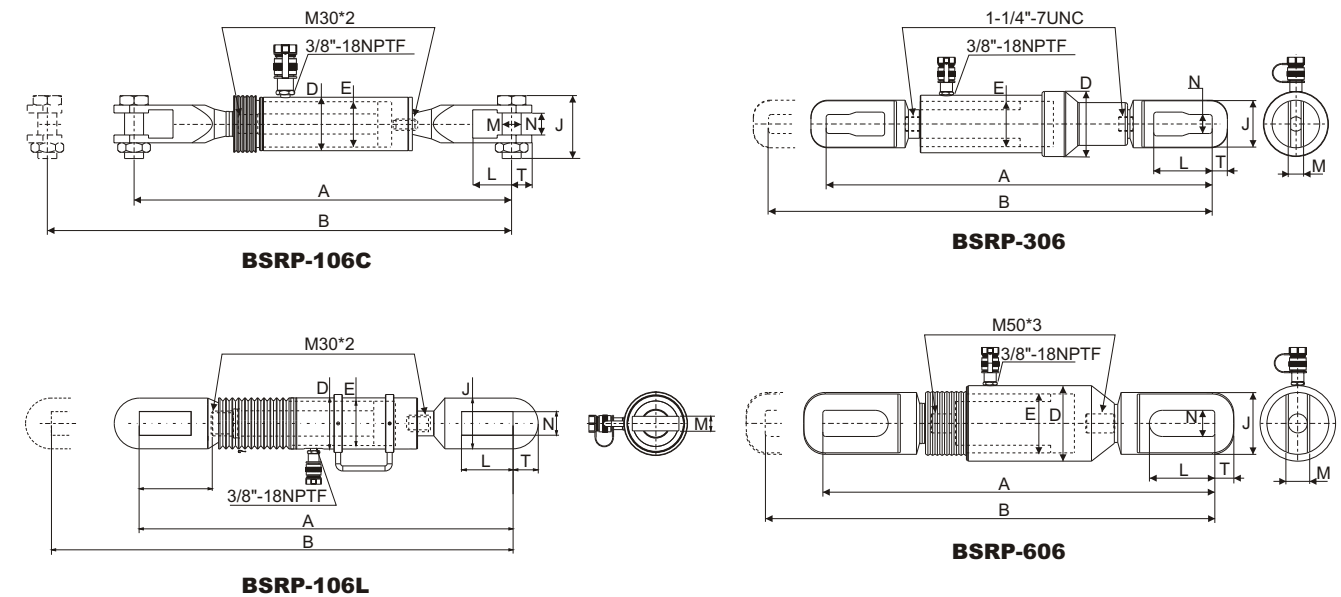


| 型號 Model Number | 外部尺寸 Outer Dimension | | | | | | | | |
|--------------------|------------------------------------|----------------------|---|---------------------------------------|-------------------------------|-------------------------------|-------------------------------|-------------------------------------|-------------------|
| | 能力 Cylinder Capacity ton(kN) | 揚程 Stroke (mm) | 受壓面積 Cylinder Effective Area (cm ²) | 總油量 Oil Cap. (cm ³) | 本身高 Coll. Height A (mm) | 伸長總高 Ext. Height B (mm) | 外徑 Outside Diam. D (mm) | 內徑 Cylinder Bore Diam. E (mm) | 總重 Wt. (kg) |
| BSRP-106C | 10(105) | 151 | 15.7 | 227 | 587 | 738 | 85 | 55.0 | 10.9 |
| BSRP-106L | 10(105) | 151 | 15.7 | 227 | 565 | 716 | 85 | 55.0 | 15.9 |
| BSRP-306 | 30(326) | 155 | 46.6 | 709 | 1085 | 1240 | 137 | 88.9 | 60.0 |
| BSRP-606 | 50(505) | 152 | 76.0 | 1154 | 720 | 872 | 140 | 110.0 | 65.6 |



| 型號-能力 Cylinder Model/ Capacity (ton) | 底座螺孔 Cylinder Mounting Dimension | | | |
|---|----------------------------------|----------------------------|--|--------------------------------------|
| | 底部螺孔 Base Mounting Hole V | 外牙螺紋 Collar Thread W | 外牙長度 Collar Thread Length X (mm) | 底螺紋深 Mtg. Thread Length Z (mm) |
| BSRC-25 | 3/4"-14NPT | 1-1/2"-16UN | 24.9 | 17 |
| BSRC-55 | 1-1/4"-11.5NPT | 2-1/4"-14UN | 26.9 | 24 |
| BSRC-106 | M30-2 | M85-2 | 25.9 | 24 |

| 型號 Model Number | 牙紋尺寸 Threads Dimension | | 底座螺孔 Cylinder Mounting Dimension | | | |
|--------------------|---|--|----------------------------------|----------------------------|--|--------------------------------------|
| | 螺紋深度 Plunger Thread Length P (mm) | 主軸螺紋 Plunger Outside Thread Q (mm) | 底部螺孔 Base Mounting Hole V | 外牙螺紋 Collar Thread W | 外牙長度 Collar Thread Length X (mm) | 底螺紋深 Mtg. Thread Length Z (mm) |
| BSRC-25 | 28 | 11/16"-24 | 3/4"-14NPT | 1-1/2"-16UN | 24 | 17 |
| BSRC-55 | 32 | 1-3/16"-16 | 1-1/4"-11.5NPT | 2-1/4"-14UN | 26 | 24 |
| BSRC-106 | 25 | M30-2 | M30-2 | M85-2 | 25 | 24 |



| 型號 Model Number | 連接勾尺寸 Link Dimension | | | | |
|--------------------|---------------------------|-------------------------------|---------------------------------|----------------------------|--|
| | 勾高度 Link Ht. J (mm) | 勾開口 Link Opening L (mm) | 勾厚度 Link Thickness M (mm) | 勾寬 Link Width N (mm) | 勾端吊耳 厚度 Slot to Link end T (mm) |
| BSRP-106C | 120 | 62 | 30.2 | 35 | 32 |
| BSRP-106L | 67 | 115 | 22.4 | 30 | 32 |
| BSRP-306 | 114 | 145 | 35.1 | 40 | 50 |
| BSRP-606 | 130 | 150 | 39.8 | 50 | 70 |